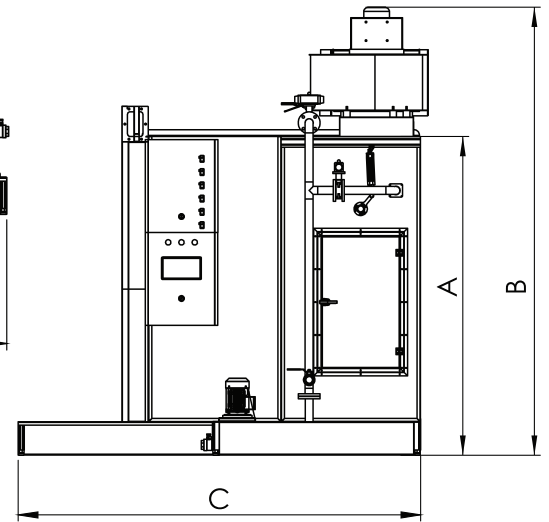
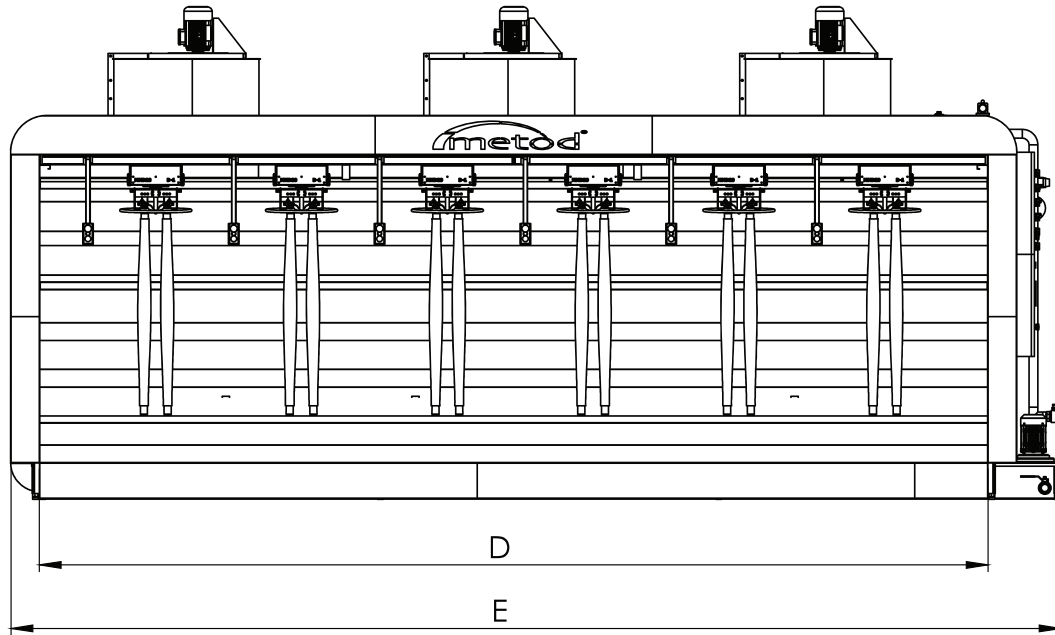


Eco-Friendly Professional Spray and Chemical Application Cabinets

Eco-Friendly Profesyonel Sprey ve Kimyasal Uygulama Kabinleri

45



TYPE OF CABINET	A	B	C	D	E	TOTAL LAYOUT
WSCN-SAMPLE	2500	3400	3000	1400	2100	2100 x 3000 x 3400
WSCN-2R	2500	3400	3000	2400	3100	3100 x 3000 x 3400
WSCN-4R	2500	3400	3000	4500	5200	5200 x 3000 x 3400
WSCN-6R	2500	3400	3000	6500	7200	7200 x 3000 x 3400

SPECIFICATIONS	WSCN-SAMPLE	WSCN-2R	WSCN-4R	WSCN-6R
MODEL	WSCN-SAMPLE	WSCN-2R	WSCN-4R	WSCN-6R
No. Of Manikin	1	2	4	6
Material	AISI 316 & 304 / 1 - 1,5 - 2,5 mm	AISI 316 & 304 / 1 - 1,5 - 2,5 mm	AISI 316 & 304 / 1 - 1,5 - 2,5 mm	AISI 316 & 304 / 1 - 1,5 - 2,5 mm
Manikin	Full Automatic Air Filling & Discharging	Full Automatic Air Filling & Discharging	Full Automatic Air Filling & Discharging	Full Automatic Air Filling & Discharging
Power of the Fan Motor	1 x 2,2 kw (1 x 7.500 m ³ /h)	1 x 3kw (1 x 10.000m ³ /h)	2 x 3kw (2 x 10.000m ³ /h)	3 x 3kw (3 x 10.000m ³ /h)
Compressed Air	6 Bar	6 Bar	6 Bar	6 Bar
Circulation Pump	304 Stainless Steel - 1,5 kw	304 Stainless Steel - 1,5 kw	304 Stainless Steel - 2,2kw	304 Stainless Steel - 3kw
Water Pool Volume	Around 600 lt.	Around 1000 lt.	Around 1800 lt	Around 2600 lt
Weight	750 kg	1300 kg	2250 kg	3500 kg
Certificate	CE	CE	CE	CE

You can also watch the videos on: www.metodmakina.com or www.youtube.com/metodmakina